



Feeding Systems

BB

Refill Hopper

BB

+ **Model BB** - for bulk storage of auto feed components (screw, nut or pin)

Features

- + Extension of refill intervals

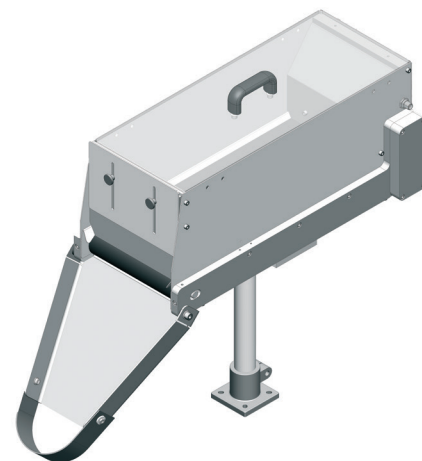
- + Hinged cover (optional)

- + 24 V drive for global application

- + Compact design

- + Adjustable refill rate

- + Fill level sensor (optional)



Technical data

Series	Length [mm]	Width [mm]	Height [mm]	Filling volume [L]	Max. weight [kg]
B.-04	380	193	201	4	10
B.-08	480	223	231	8	20
B.-18	580	273	251	18	45